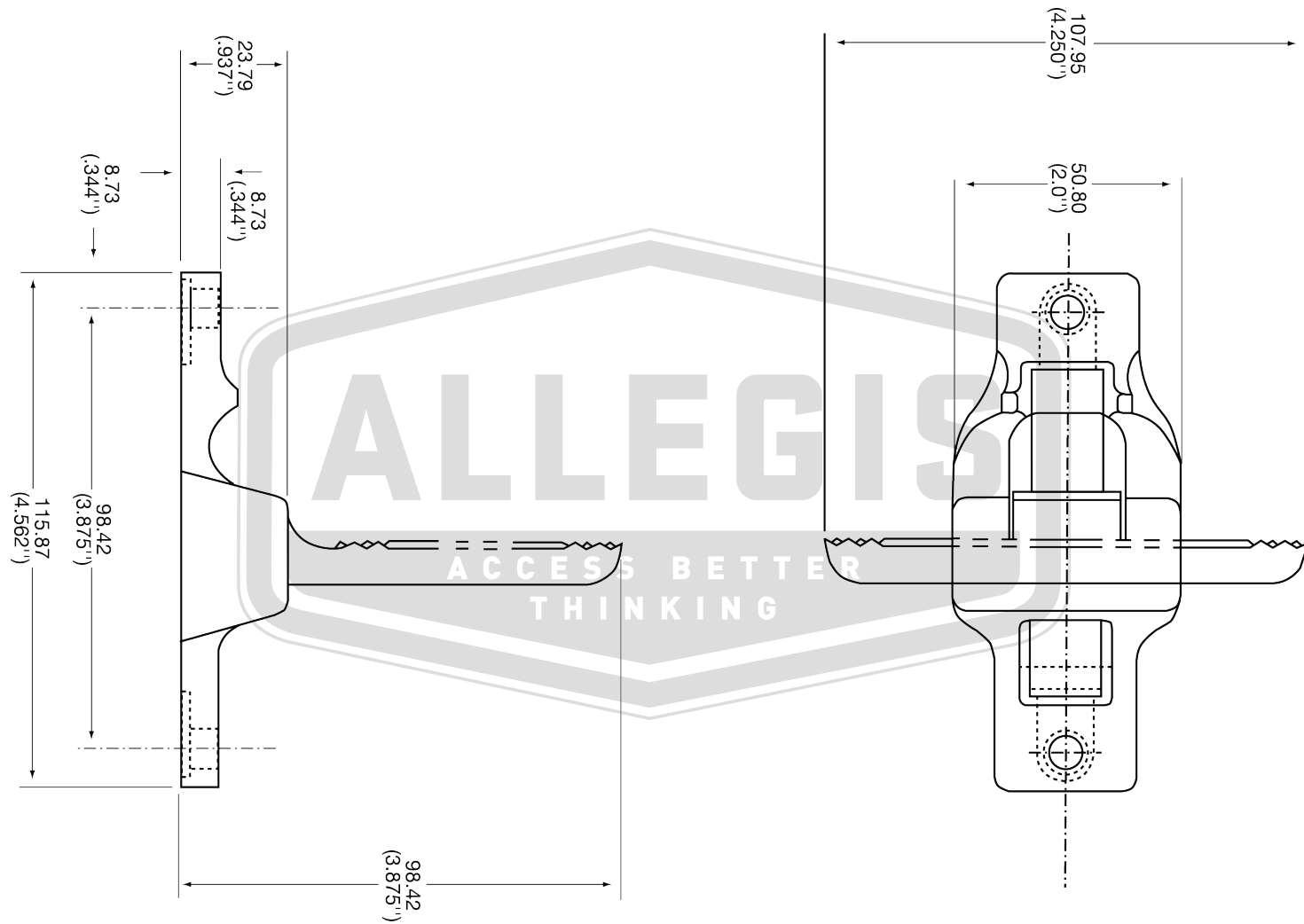


APPROVAL - CUSTOMER NAME & SIGNATURE

DATE



<b>ALLEGIS</b>	1-866-378-7550
MATERIAL: Stainless Steel	DRAWING NO. : 2797A
FINISH:	
REV.: 1:1	DATE: 6/11/2019